

DESCRIPTION

AMC MODEL SAB-218-6 IS A SWITCHED BIT ATTENUATOR OPERATING FROM 2 TO 18 GHz DESIGNED TO BE SWITCHED BETWEEN A LOW LOSS STATE (2 dB LOSS TYPICAL) AND HIGH LOSS STATE (20 dB LOSS TYPICAL). THE SETTINGS ARE SELECTED BY A SINGLE CONTROL BIT.

SPECIFICATIONS

- FREQUENCY RANGE: 2 TO 18 GHz
- INSERTION LOSS: LOGIC "0" = 20 dB TYPICAL
..... LOGIC "1" = 2 dB TYPICAL
- VSWR: 2.0:1
- RESPONSE TIME: 100 nS
- POWER SUPPLY: +5V @ 45 mA MAX
..... -5V @ 45 mA MAX
- CONNECTORS:
RF: SMA FEMALE
CONTROL: SOLDER PIN

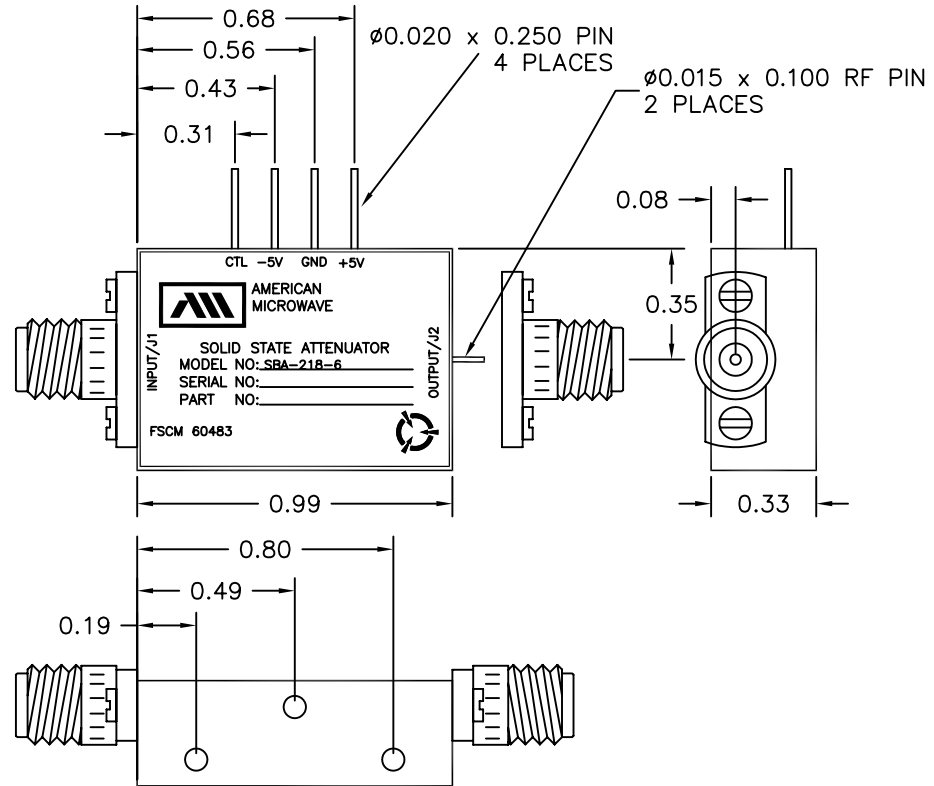
OPTIONS:

- HERM: HERMETICALLY SEALED
(STANDARD IS EPOXY SEALED)

ENVIRONMENTAL RATINGS:

- TEMPERATURE: -55°C TO +85°C (OPERATING)
..... -65°C TO +125°C (STORAGE)
- HUMIDITY: MIL-STD-202F, METHOD 103B COND. B
- SHOCK: MIL-STD-202F, METHOD 213B COND. B
- VIBRATION: MIL-STD-202F, METHOD 204D COND. B
- ALTITUDE: MIL-STD-202F, METHOD 105C COND. B
- TEMPERATURE CYCLE: MIL-STD-202F, METHOD 107D COND. A

NOTE: SPECIFICATIONS WILL VARY OVER OPERATING TEMPERATURE
NOTE: THE ABOVE SPECIFICATIONS ARE SUBJECT TO CHANGE OR REVISION



ALL DIMENSIONS ARE IN INCHES
TOLERANCES:
X.XX ±0.020
X.XXX ±0.010

REVISIONS				
ZONE	REV.	DESCRIPTION	DATE	APPROVED
	-	ORIGINAL RELEASE JOB# P506024E	7/29/05	

AMERICAN MICROWAVE CORPORATION

7311-G GROVE ROAD
FREDERICK, MARYLAND 21704 USA
TEL: 301-662-4700 FAX: 301-662-4938
WEBSITE: www.americamicrowavecorp.com
E-MAIL: sales@americamicrowavecorp.com
ISO 9001:2000 CERTIFIED

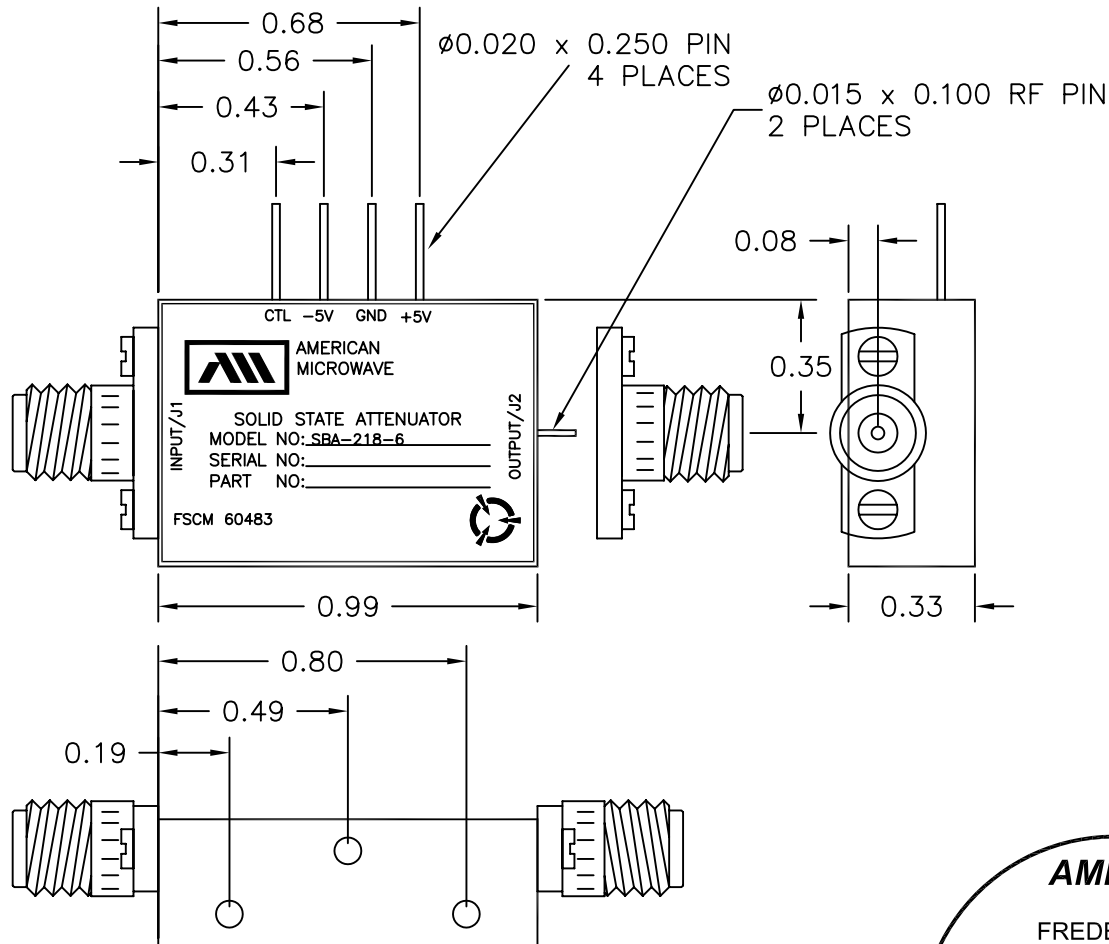


APPROVALS		DATE	TITLE			
DRAWN <i>gfg</i>		7/29/05	PRODUCT FEATURE SBA-218-6			
CHECKED			2 - 18 GHz SWITCHED BIT ATTENUATOR			
ISSUED			SIZE	FSCM NO.	DWG NO.	REV.
			A	60483	100-7472	-
			SCALE	N:S		SHEET 1 OF 4

DESCRIPTION

AMC MODEL SAB-218-6 IS A SWITCHED BIT ATTENUATOR OPERATING FROM 2 TO 18 GHz DESIGNED TO BE SWITCHED BETWEEN A LOW LOSS STATE (2 dB LOSS TYPICAL) AND HIGH LOSS STATE (20 dB LOSS TYPICAL). THE SETTINGS ARE SELECTED BY A SINGLE CONTROL BIT.

REVISIONS				
ZONE	REV.	DESCRIPTION	DATE	APPROVED
	-	ORIGINAL RELEASE JOB# P506024E	7/29/05	



MECHANICAL OUTLINE

ALL DIMENSIONS ARE IN INCHES
 TOLERANCES:
 X.XX ±0.020
 X.XXX ±0.010

AMERICAN MICROWAVE CORPORATION

7311-G GROVE ROAD
 FREDERICK, MARYLAND 21704 USA
 TEL: 301-662-4700 FAX: 301-662-4938
 WEBSITE: www.americanmicrowavecorp.com
 E-MAIL: sales@americanmicrowavecorp.com
 ISO 9001:2000 CERTIFIED



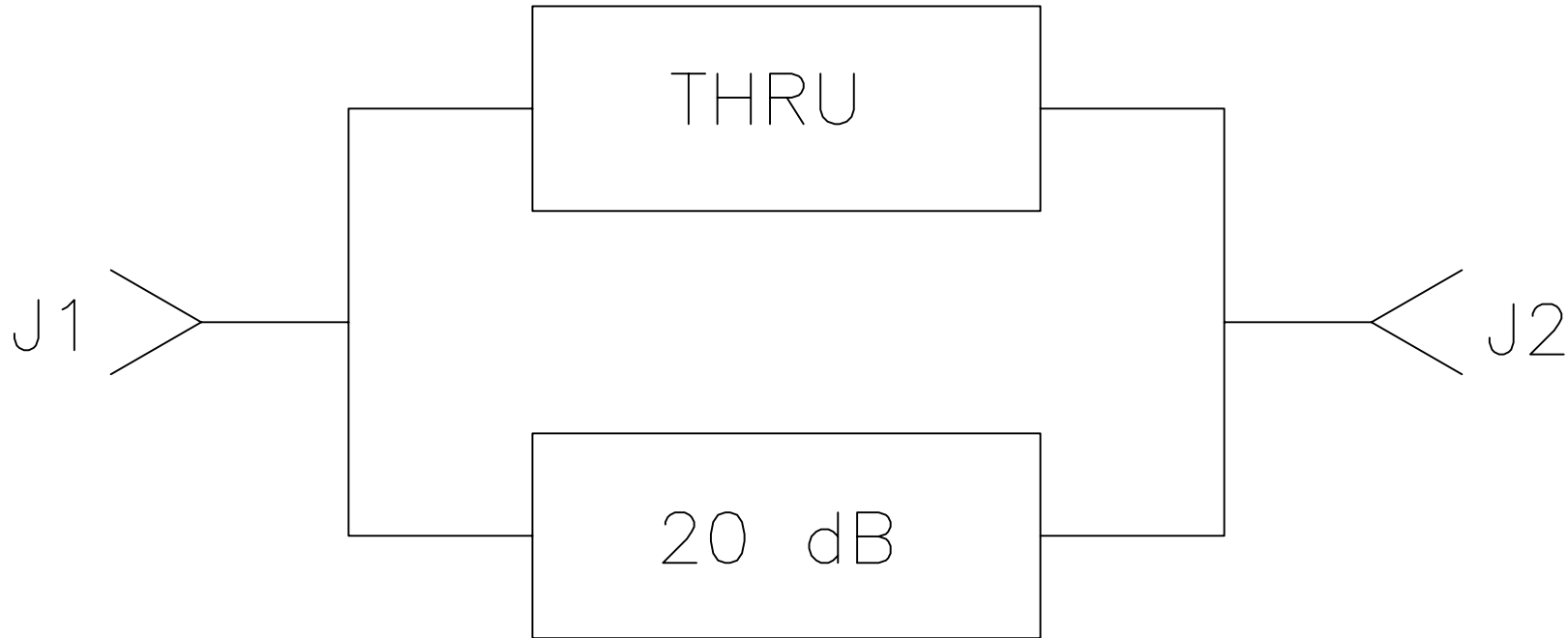
APPROVALS		DATE	TITLE			
DRAWN <i>EJG</i>		7/29/05	MECHANICAL OUTLINE SBA-218-6			
CHECKED			2 - 18 GHz SWITCHED BIT ATTENUATOR			
ISSUED			SIZE A	FSCM NO. 60483	DWG NO. 100-7472	REV. -
SCALE N:S			SHEET 2 OF 4			

DESCRIPTION

AMC MODEL SAB-218-6 IS A SWITCHED BIT ATTENUATOR OPERATING FROM 2 TO 18 GHz DESIGNED TO BE SWITCHED BETWEEN A LOW LOSS STATE (2 dB LOSS TYPICAL) AND HIGH LOSS STATE (20 dB LOSS TYPICAL). THE SETTINGS ARE SELECTED BY SIX CONTROL BITS.

REVISIONS				
ZONE	REV.	DESCRIPTION	DATE	APPROVED
	-	ORIGINAL RELEASE JOB# P506024E	7/29/05	

FUNCTIONAL BLOCK DIAGRAM



AMERICAN MICROWAVE CORPORATION

7311-G GROVE ROAD
 FREDERICK, MARYLAND 21704 USA
 TEL: 301-662-4700 FAX: 301-662-4938
 WEBSITE: www.americanmicrowavecorp.com
 E-MAIL: sales@americanmicrowavecorp.com
 ISO 9001:2000 CERTIFIED



APPROVALS		DATE	TITLE		
DRAWN		7/29/05	FUNCTIONAL BLOCK DIAGRAM		
CHECKED			SBA-218-6		
ISSUED			2 - 18 GHz SWITCHED BIT ATTENUATOR		
SIZE	FSCM NO.	DWG NO.	REV.		
A	60483	100-7472	-		
SCALE N:S			SHEET 3 OF 4		